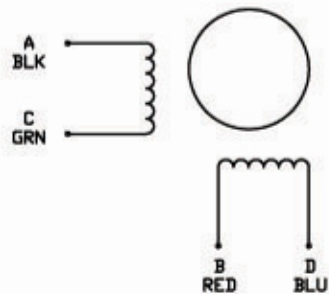
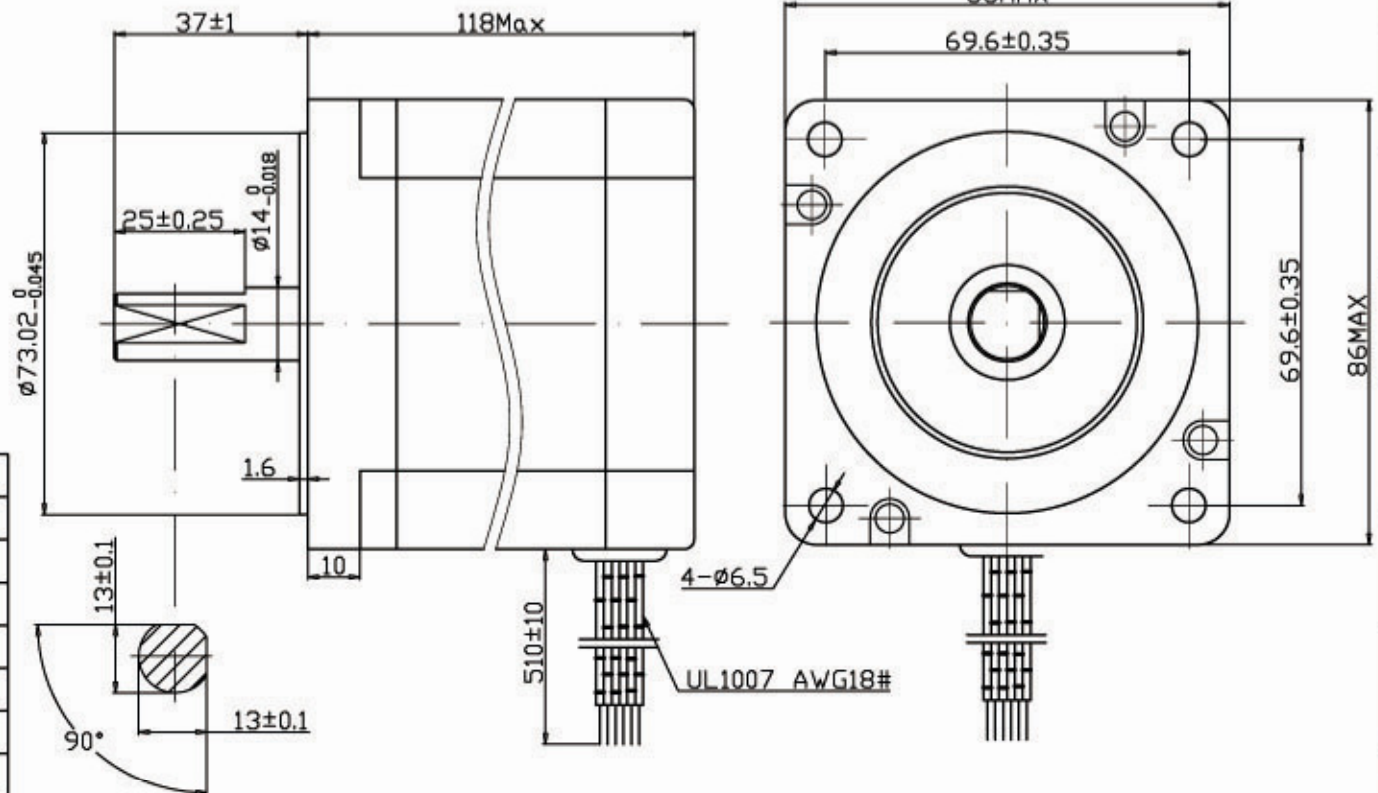


Wiring Diagram



SPECIFICATIONS

1	Number of Phase	2
2	Step Angle	1.8° ±5%
3	Holding Torque	90 Kg. cm
4	Voltage	2.85 VDC
5	Current	5.0 A
6	Phase Resistance (20°C)	0.57 ±10% Ω
7	Phase Inductance (1KHz)	6.0 ±20% mH
8	Rotor Inertia	3650 g • cm ²
9	Insulation Resistance	100M Ω 500VDC
10	Insulation Class	B (130°C)
11	Ambient Temperature	-20°C to 50°C
12	Ambient Humidity	15% to 95%
13	Motor Weight	Approx 4.0 kg
14		



EXITING SEQUENCE (2 PHASE)

STEP	A	B	\bar{A}	\bar{B}	CCW
1	+	+	-	-	↑
2	-	+	+	-	
3	-	-	+	+	
4	+	-	-	+	↓

Unit:mm
 First angle method
 Tolerances for linear and angular dimensions without individual tolerance indications GR/T 1904-a eqv ISO 2768-1:m
 Geometrical tolerances for features without individual tolerance indications GR/T 1184-k eqv ISO 2768-2:k

DESIGN	
CHECK	
TECHNOLOGY	
STANDARD	
APPROVE	
NAMES	
SIGNATURE	
DATE	



TYPE: HYBRID STEPPING MOTOR SCALE XX Rev. 1.0 SHEET 1 OF 1

Model: 34HS86-5090A

V1.0	HTPS1603071	20160312
------	-------------	----------

REV.	REVISION RECORD	DATE
------	-----------------	------